

Build Your Own Paper Tank



redwhiteblueday.co.uk

Paper Tank Instructions

Print the tank template from page 3 on A4 or A3 paper. Then follow the instructions below.

1. Cut out section 1, this will be the hull. Ensure you have cut the two lines in the middle, you will need these later.

2. Fold along the dotted grey lines. Stick the four tabs to the underside of the tank to create the first shape.

3. Cut out section 2, this will be the turret.

4. Fold along the dotted grey lines. Stick the four tabs to the sides of the turret to complete the shape.

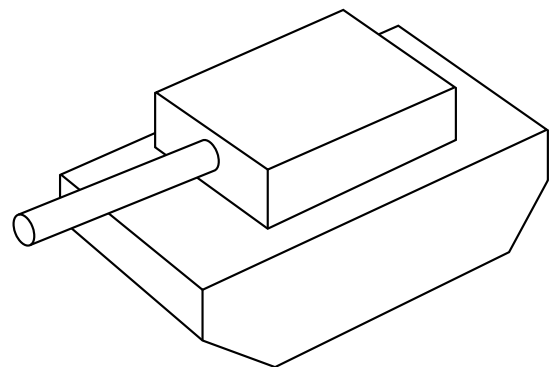
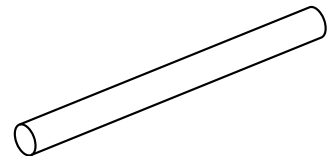
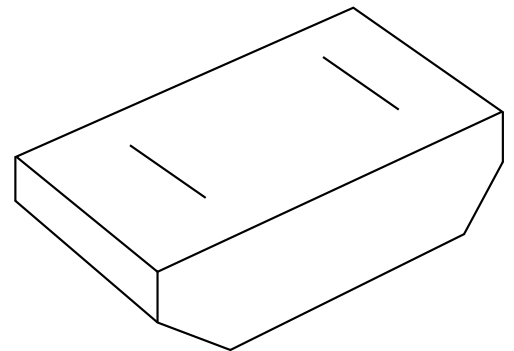
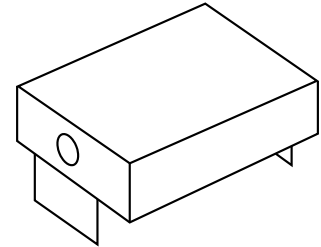
5. Cut out the circle, or poke a pen through to create a hole. This will be used to place the barrel in next.

6. Cut out section 3, this will be the barrel. Roll into a barrel shape. Stick it together.

7. Place the turret on top of the hull and push the two tabs through the slots. Tape these two tabs to the underside of the hull.

8. Place the barrel into the hole on the turret, so only about half is left showing.

9. Finished! How do you want to decorate your tank? Maybe write a message to those in today's Armed Forces, add a camouflage pattern, or perhaps colour it in red, white and blue.

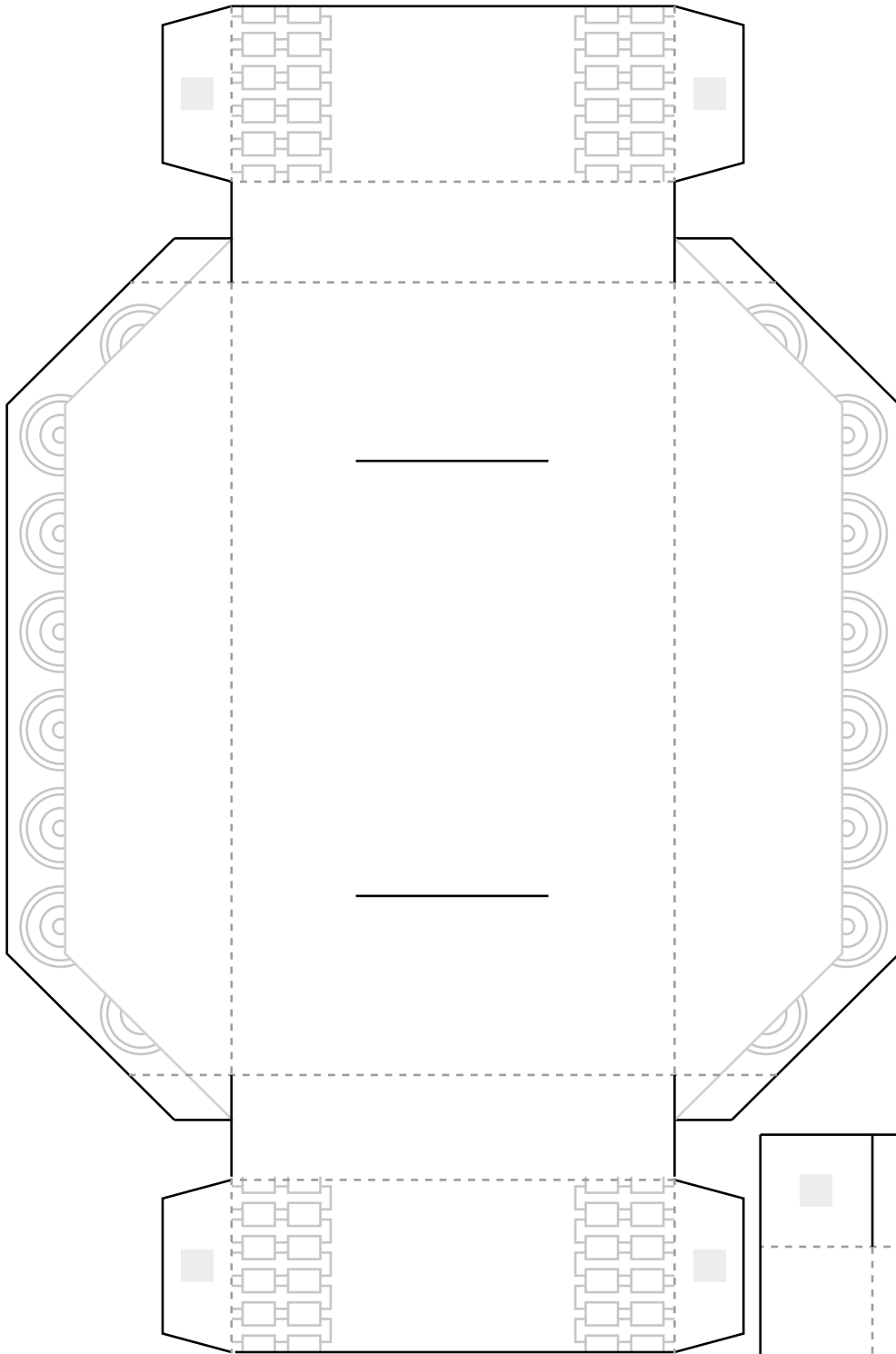


TIPS

ENSURE YOU CUT CAREFULLY ALONG ALL THE SOLID BLACK LINES.

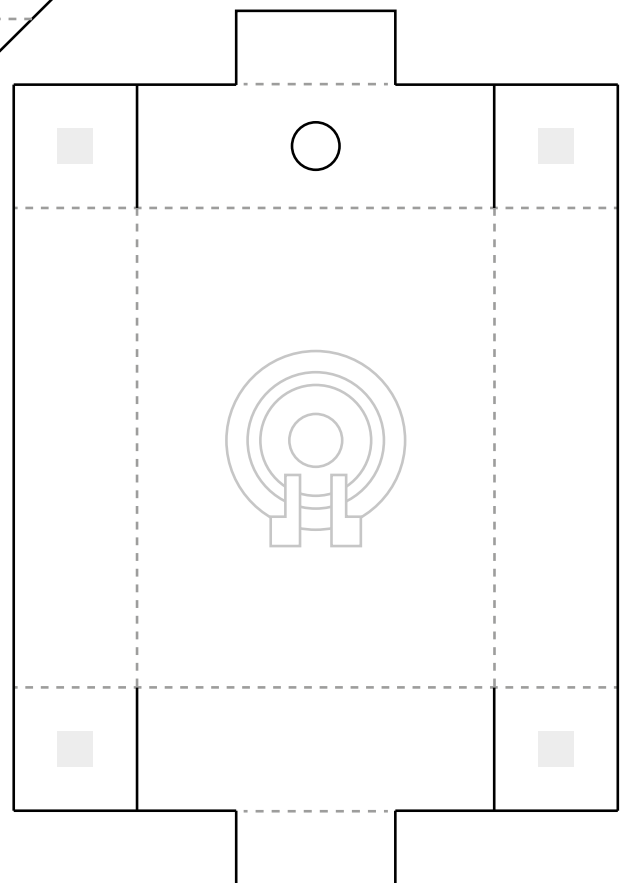
AVOID CUTTING ANY OF THE GREY DOTTED LINES, THESE ARE FOR FOLDING ONLY.

WHEREVER YOU SEE A SMALL GREY SQUARE, THIS INDICATES WHERE YOU SHOULD PLACE YOUR STICKY TAPE.



SECTION 1

SECTION 2



SECTION 3

